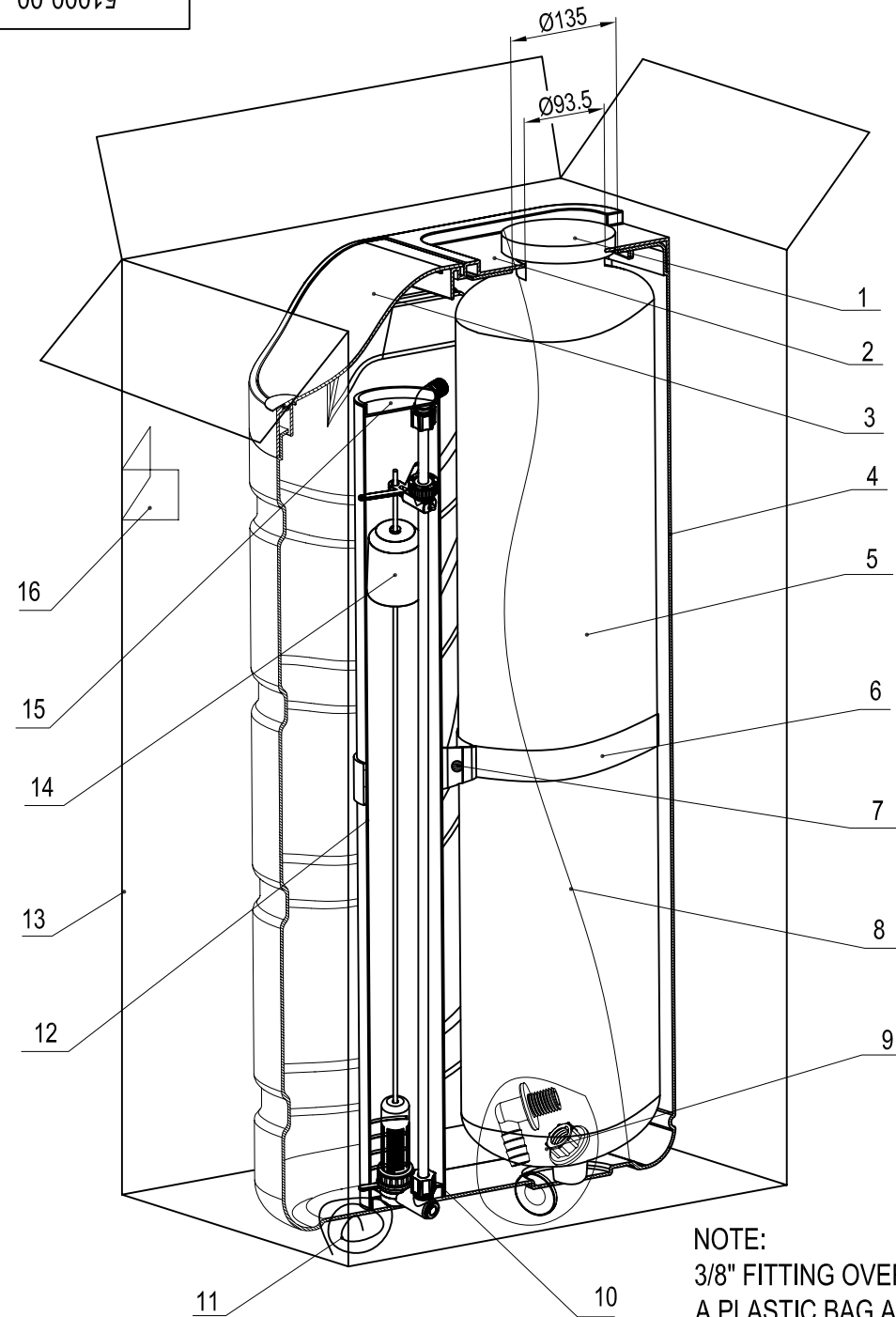


00-00019



NOTE:
3/8" FITTING OVERFLOW WILL BE PACKED IN
A PLASTIC BAG AND PLACED INSIDE CABINET.

CABINET-LID COLOR OPTION:

CABINET COLOR(8") LID AND LID FRAME COLOR (8")		8x17		8x24		8x35	
		WHITE	GREY	WHITE	GREY	WHITE	GREY
BLACK RAL:9005	FRAME (10889) LID (10890)	81894	82317	81895	82318	81896	82319
BLUE RAL:5015	FRAME (10891) LID (10892)	82269	82341	82270	82342	82271	82343
GREY (Wave-Cyber)	FRAME (10685) LID (10686)	81732	82293	81733	82294	81734	82295

08x17 CABINET KIT- OPTION "D" PART NUMBER: "SEE CABINET-LID COLOR OPTION"

ITEM	DRAWING	PART NUMBER	DESCRIPTION	MATERIAL	QTY	COMMENT
1		40003	FOAM PLUG	FOAM	1	
2	51350-02		LID FRAME	ABS	1	
3	51350-03		CABINET LID	ABS	1	
4	51170-01	70451	08x17 CABINET	PE	1	
5	11082-00		08x17 TANK W/O BASE		1	
6	51350-04	10818	CLAMP RING(8")	PE	1	
7		10854	CHRISTMAS TREE	NYLON	2	
8			PLASTIC BAG		1	
9		10676	3/8"OVERFLOW FITTING		1	
10	30640-03-03	10053	BRINE WELL BOTTOM	ABS	1	
11		10674	HOSE	PE	1	3/8"x70"
12	30640-03-02	10039	BRINE WELL	PE	1	
13		41029	08x17 CABINET CARTON		1	
14	48101-00	10677	BRINE VALVE		1	434
15	30640-03-01	10052	BRINE WELL CAP	ABS	1	
16	730817-06-03	41068-29	CARTON LABEL		1	4" x 2"

08x35 CABINET KIT- OPTION "D" PART NUMBER: "SEE CABINET-LID COLOR OPTION"

ITEM	DRAWING	PART NUMBER	DESCRIPTION	MATERIAL	QTY	COMMENT
1		40003	FOAM PLUG	FOAM	1	
2	51350-02		LID FRAME	ABS	1	
3	51350-03		CABINET LID	ABS	1	
4	51350-01	70453	08x35 CABINET	PE	1	
5	11082-00		08x35 TANK W/O BASE		1	
6	51350-04	10818	CLAMP RING(8")	PE	1	
7		10854	CHRISTMAS TREE	NYLON	2	
8			PLASTIC BAG		1	
9		10676	3/8"OVERFLOW FITTING		1	
10	30640-03-03	10053	BRINE WELL BOTTOM	ABS	1	
11		10674	HOSE	PE	1	3/8"x70"
12	30640-03-02	10039	BRINE WELL	PE	1	
13		41040	08x35 CABINET CARTON		1	
14	48101-00	10677	BRINE VALVE		1	434
15	30640-03-01	10052	BRINE WELL CAP	ABS	1	
16	730835-06-03	41068-31	CARTON LABEL		1	4" x 2"

08x24 CABINET KIT- OPTION "D" PART NUMBER: "SEE CABINET-LID COLOR OPTION"

ITEM	DRAWING	PART NUMBER	DESCRIPTION	MATERIAL	QTY	COMMENT
1		40003	FOAM PLUG	FOAM	1	
2	51350-02		LID FRAME	ABS	1	
3	51350-03		CABINET LID	ABS	1	
4	51240-01	70452	08x24 CABINET	PE	1	
5	11082-00		08x24 TANK W/O BASE		1	
6	51350-04	10818	CLAMP RING(8")	PE	1	
7		10854	CHRISTMAS TREE	NYLON	2	
8			PLASTIC BAG		1	
9		10676	3/8"OVERFLOW FITTING		1	
10	30640-03-03	10053	BRINE WELL BOTTOM	ABS	1	
11		10674	HOSE	PE	1	3/8"x70"
12	30640-03-02	10039	BRINE WELL	PE	1	
13		41030	08x24 CABINET CARTON		1	
14	48101-00	10677	BRINE VALVE		1	434
15	30640-03-01	10052	BRINE WELL CAP	ABS	1	
16	730824-06-03	41068-30	CARTON LABEL		1	4" x 2"

2	REMOVE CABINET RAL NUMBER, USING WAVE-CYBER'S OWN COLOR;		2010/03/29
1	ADD "CABINET-LID COLOR OPTION"		2010/03/02
0	FIRST REVISION		2010/01/13
VERSION NO.	DESCRIPTION OF CHANGES:		SIGNATURE DATE
REFERENTIAL PLASTIC SHRINKAGE (IF NECESSARY):			
SIGNATURE		WAVE CYBER (SHANGHAI) CO., LTD.	
NAME	DATE		
DESIGN	SCALE	MATERIAL	MODEL
INSPECTION	1:8		DESCRIPTION
APPROVAL	QUANTITY	SMOOTHNESS	8"CABINET KIT "D" VERSION
THIS PRODUCT DRAWING CAN NOT BE COPIED AND/OR USED WITHOUT PRIOR WRITTEN APPROVAL OF WAVE CYBER.		PROJECTION	DRAWING NO.
			51000-00
DO NOT MEASURE THE DIMENSIONS.		UNIT: MM	VERSION NO. 2
		TOTAL PAGE: 1	