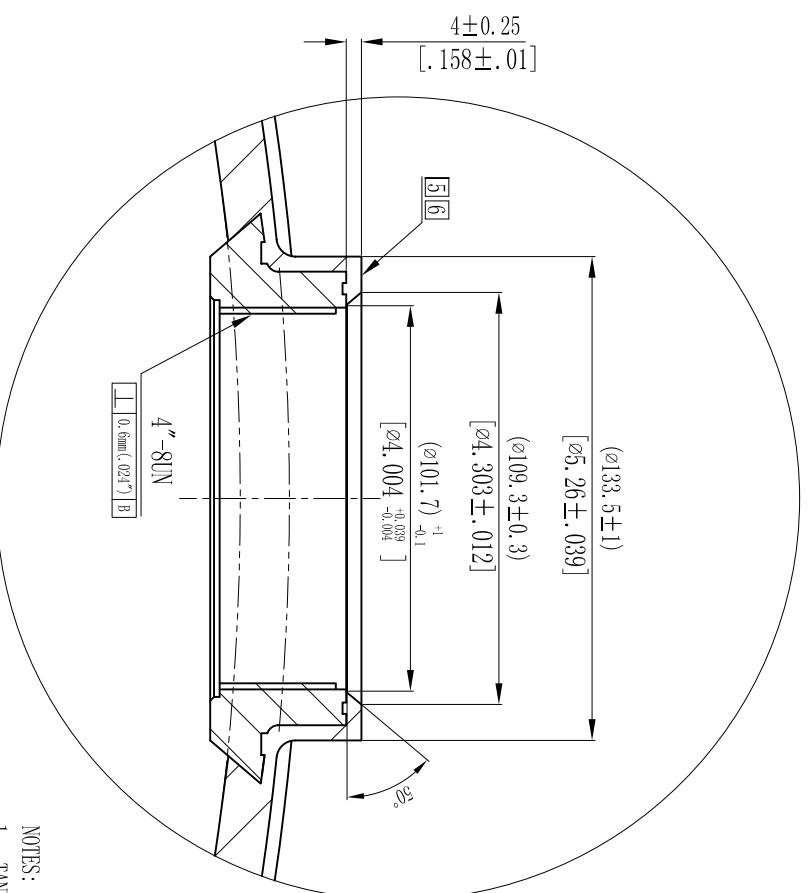
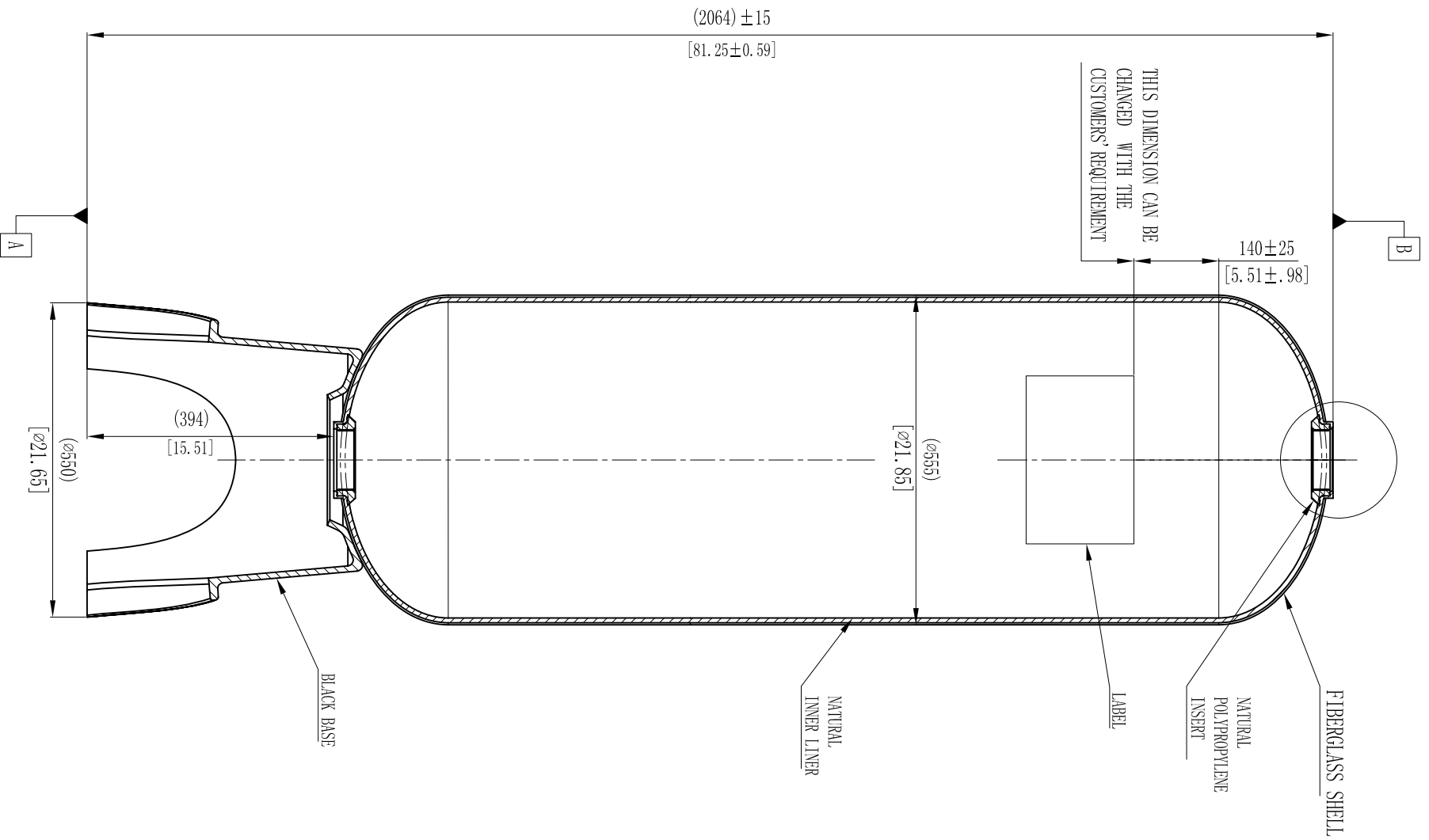


1:2

MODEL	VOLUME		DOME VOLUME		WEIGHT	
	liters	U.S. gal	liters	U.S. gal	kg	LBS
21x62	330	87.2	11.66	24.96	6.59	0.88
					42.87	94.32



- NOTES:
- TANK MUST MEET ALL APPLICABLE SPECIFICATIONS OF NSF/ANSI 044 STANDARD, LATEST REVISION.
  - OPERATING SPECIFICATIONS:
    - A. MAXIMUM WORKING PRESSURE - 150 PSI (10.3BAR)
    - B. TEMPERATURE RANGE - 34-120° F (-1-49°C)
    - C. MAXIMUM VACUUM - 5"Hg (127mm Hg)
  - VISUAL LINER INSPECTION
    - A. NO MORE THAN 10 INTERNAL OR EXTERNAL BLEMISHES OR BURNT DEBRIS.
    - B. NO INTERNAL OR EXTERNAL BLEMISHES OR BURNT DEBRIS LARGER THAN 3×3mm.
    - C. NO INTERNAL BLEMISHES OR BURNT DEBRIS ALLOWED.
  - ALL GLASS STRANDS FROM FIBERGLASS LINER TO BE BONDED AND COVERED.
  - SURFACE TO BE FREE OF NICKS, SCRATCHES, RESIN AND GLASS.
  - SURFACE FINISH.
  - DIMENSIONS IN PARENTHESES ARE REFERENCE ONLY.
  - DIMENSIONS IN SQUARE PARENTHESES ARE INCH UNIT.
  - TANK TO BE BONDED TO BASE.
  - USING A STANDARD LEVEL WITH TANK POSITIONED ON A LEVEL SURFACE, DATUM B TO BE PARALLEL WITH DATUM A. BUBBLE OF LEVEL MUST FALL COMPLETELY WITHIN LINES WHEN MEASURED AT 90° INTERVALS.

4	THIS DRAWING IS UPDATED COMPLYING WITH THE CHINESE VERSION		2008/07/21
REPRESENTATIONAL PLASTIC SHRINKAGE (IF NECESSARY):		SIGNATURE:	DATE:
SIGNATURE		WAVE CYBER (SHANGHAI) CO., LTD.	
DESIGN	NAME	DATE	
INSPECTION			
APPROVAL			
THIS PRODUCT DRAWING CAN NOT BE COPIED AND/OR USED WITHOUT PRIOR WRITTEN APPROVAL OF WAVE CYBER.		PROJECTION	COMPUTER CODE
DO NOT MEASURE THE DIMENSIONS.		UNIT: MM	TOTAL PAGE: 1
SCALE	MATERIAL	MODEL	DESCRIPTION
1 : 10			21" FRP PRESSURE VESSEL (DOUBLE OPENING)
QUANTITY	SMOOTHNESS	DRAWING NO.	VERSION NO.
		111212-00	4