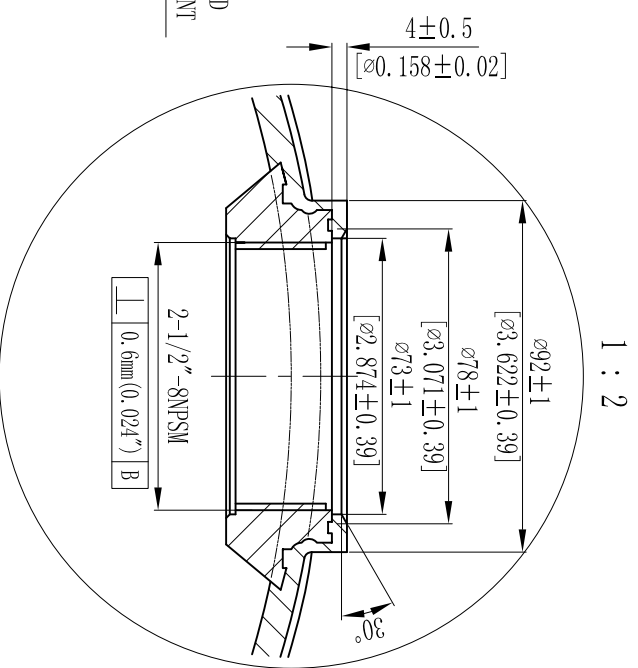
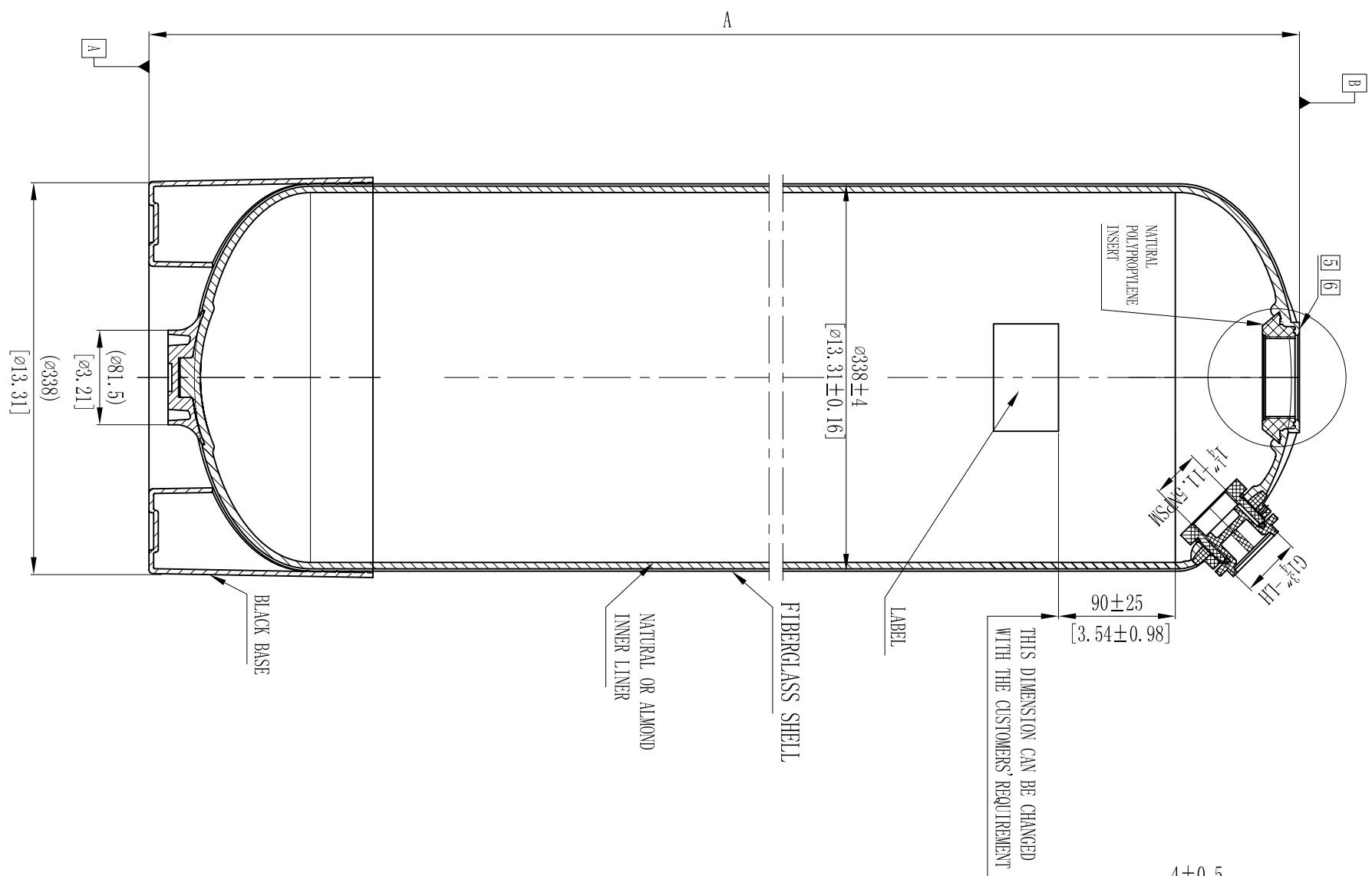


MODEL	A			VOLUME			DOME VOLUME			WEIGHT		
	mm	Inch	+/- mm inch	liters	U.S.gal	cubic FT	liters	U.S.gal	cubic FT	Kg	LBS	
13x44	1145	45.08	6	0.24	84.8	22.40	3.00	4.91	1.30	0.17	11.80	25.96
13x54	1404	55.28	6	0.24	105.7	27.93	3.73	4.91	1.30	0.17	13.85	30.47



DOME HOLE POSITION:
 POSITION A. FOR THE FOLLOWING VALVES:
 FLECK 2510, 5600, 6600, 6700, 565F
 AUTOTROL 255/440, 263/440
 POSITION B.
 CLACK

NOTES:

- TANK MUST MEET ALL APPLICABLE SPECIFICATIONS OF NSF/ANSI 044 STANDARD, LATEST REVISION.
- OPERATING SPECIFICATIONS:
 - A. MAXIMUM WORKING PRESSURE - 150 PSI (10.3BAR)
 - B. TEMPERATURE RANGE - 34-120° F (-1-49°C)
 - C. MAXIMUM VACUUM - 5"Hg (127mm Hg)
- VISUAL LINER INSPECTION
 - A. NO MORE THAN 10 INTERNAL OR EXTERNAL BLEMISHES OR BURNT DEBRIS.
 - B. NO INTERNAL OR EXTERNAL BLEMISHES OR BURNT DEBRIS LARGER THAN 3x3mm.
 - C. NO INTERNAL BLEMISHES OR BURNT DEBRIS ALLOWED.
- ALL GLASS STRANDS FROM FIBERGLASS LINER TO BE BONDED AND COVERED.
- SURFACE TO BE FREE OF NICKS, SCRATCHES, RESIN AND GLASS.
- SURFACE FINISH.
- DIMENSIONS IN PARENTHESES ARE REFERENCE ONLY.
- DIMENSIONS IN SQUARE PARENTHESES ARE INCH UNIT.
- USING A STANDARD LEVEL WITH TANK POSITIONED ON A LEVEL SURFACE, DATUM B TO BE PARALLEL WITH DATUM A. BUBBLE OF LEVEL MUST FALL COMPLETELY WITHIN LINES WHEN MEASURED AT 90° INTERVALS.

2		ADD TOLERANCE ±6 TO DIMENSION A		DESCRIPTION OF CHANGES:		SIGNATURE:		2009/06/23			
VERSION NO.		REPRESENTATIONAL PLASTIC SHRINKAGE (IF NECESSARY):		SIGNATURE:		DATE:					
SIGNATURE				WAVE CYBER (SHANGHAI) CO., LTD.							
DESIGN		NAME		DATE		SCALE		MATERIAL		MODEL	
INSPECTION						1 : 5		SMOOTHNESS		13" FRP PRESSURE VESSEL (DOME HOLE)	
APPROVAL						QUANTITY		COMPUTER CODE		DRAWING NO.	
THIS PRODUCT DRAWING CAN NOT BE COPIED AND/OR USED WITHOUT PRIOR WRITTEN APPROVAL OF WAVE CYBER.				DO NOT MEASURE THE DIMENSIONS.		UNIT: MM		TOTAL PAGE: 1		VERSION NO.	
										2	